

# TT 25-A II

## ACTIVE HIGH OUTPUT TWO-WAY SPEAKER

### DESCRIPTION

The TT25-A II is the most flexible and powerful tool in its class. TT25-A II offers very high output and dynamics, and extreme linearity and accuracy in a compact size. TT25-A II is a 2-way active system featuring a 15" neo woofer, 86 mm voice coil in a bass reflex configuration; 1,5" exit, 100 mm voice coil neo compression driver; 90° x 60° constant directivity horn, 90° rotating. The TT25-A II is the ideal professional speaker for sound reinforcement, live performances and events.



### FEATURES

- 1100 W Class D Amplifier
- 90 x 60 constant directivity coverage angle
- 15" neo woofer, 3.5" voice coil
- 1.5" neo c. driver, 4.0" voice coil
- DSP Processing
- Onboard RNet Control
- Multifunctional cabinet
- Very high output

## TECHNICAL SPECIFICATIONS

<b>Acoustical specifications</b>	Frequency Response:	50 Hz ÷ 20000 Hz
	Max SPL @ 1m:	134 dB
	Horizontal coverage angle:	90°
	Vertical coverage angle:	60°
<b>Transducers</b>	Compression Driver:	1 x 1.5" neo, 4.0" v.c
	Woofers:	15" neo, 3.5" v.c
<b>Input/Output section</b>	Input signal:	bal/unbal
	Input connectors:	XLR, RDNet Ethercon
	Output connectors:	XLR, RDNet Ethercon
	Input sensitivity:	-2 dBu/+4 dBu
<b>Processor section</b>	Crossover Frequencies:	750 Hz
	Protections:	Thermal, HF
	Limiter:	Fast Limiter
	Controls:	Proces., 8 sel. presets
	RDNet:	Yes
<b>Power section</b>	Total Power:	2200 W Peak, 1100 W RMS
	High frequencies:	600 W Peak, 300 W RMS
	Low frequencies:	1600 W Peak, 800 W RMS
	Cooling:	Convection
	Connections:	Powercon IN/OUT
<b>Standard compliance</b>	CE marking:	Yes
<b>Physical specifications</b>	Cabinet/Case Material:	Baltic birch plywood
	Hardware:	6xfly track, quick lock, pole mount
	Handles:	2 on side
	Pole mount/Cap:	Yes
	Grille:	Steel
	Color:	Black
<b>Size</b>	Height:	670 mm / 26.38 inches
	Width:	425 mm / 16.73 inches
	Depth:	425 mm / 16.73 inches
	Weight:	26 kg / 57.32 lbs
<b>Shipping informations</b>	Package Height:	715 mm / 28.15 inches
	Package Width:	470 mm / 18.5 inches
	Package Depth:	470 mm / 18.5 inches
	Package Weight:	32.7 kg / 72.09 lbs



**PART NUMBER**

• **13000447**

TT 25-A II

115V

EAN 8024530013226

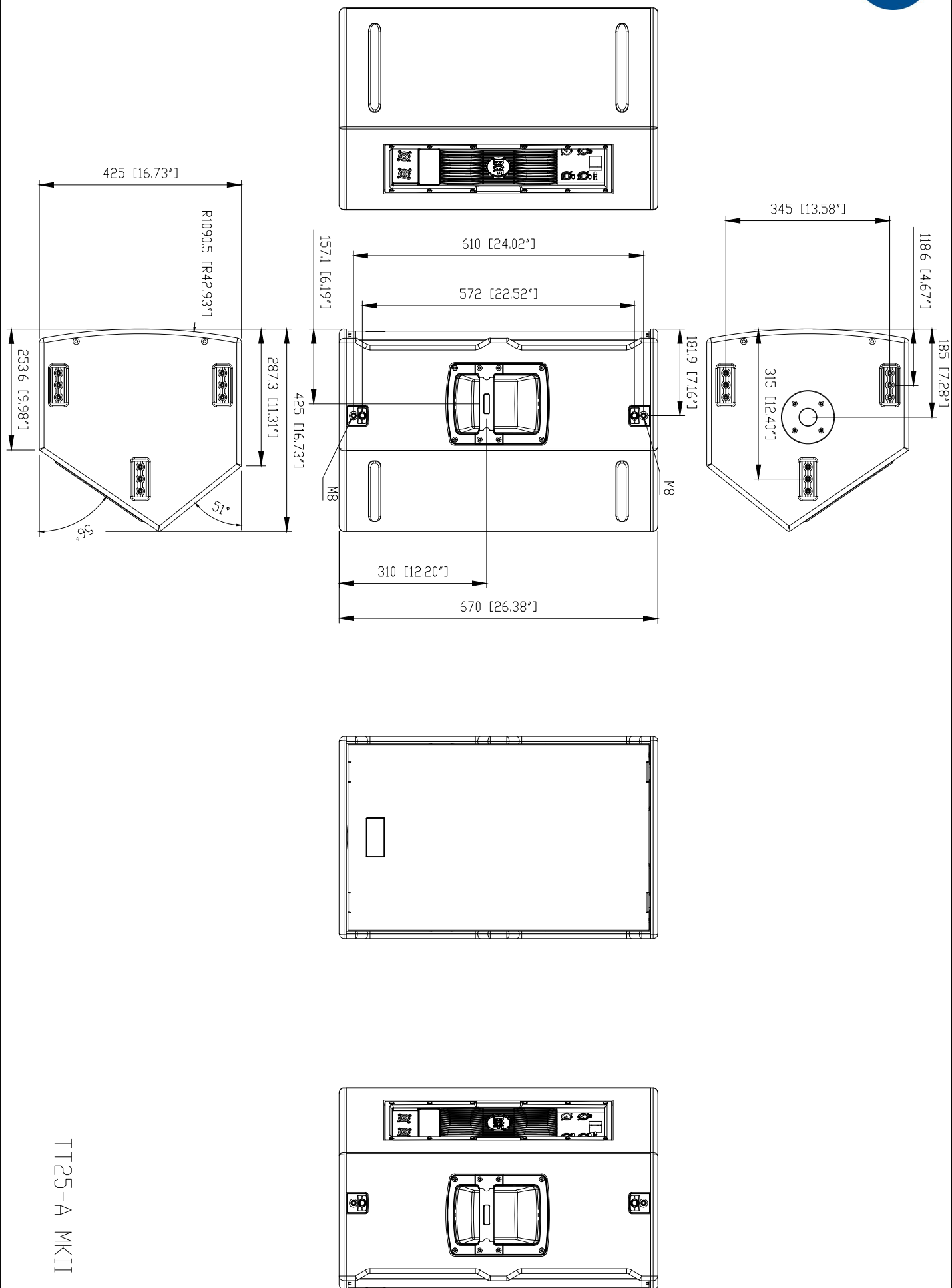
• **13000446**

TT 25-A II

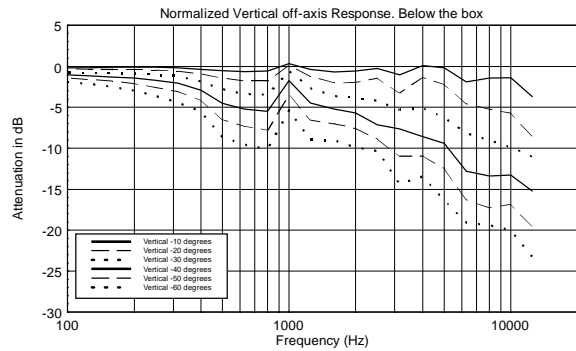
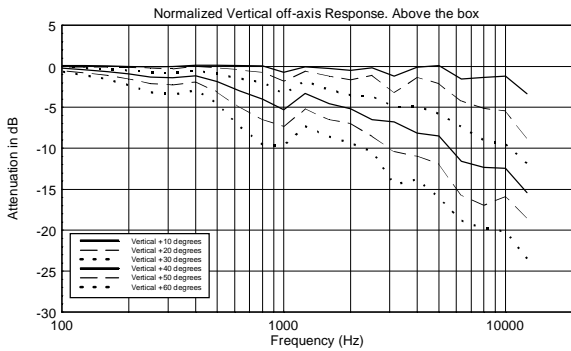
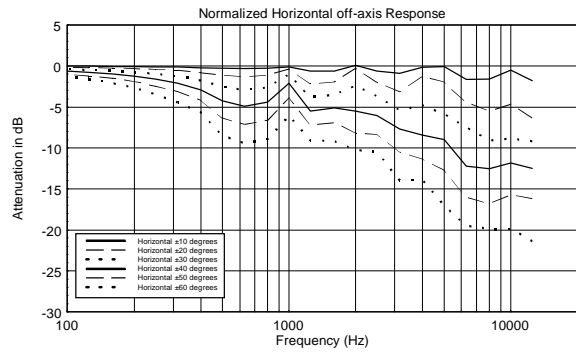
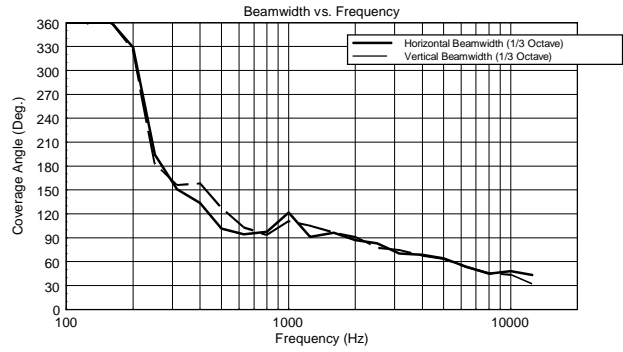
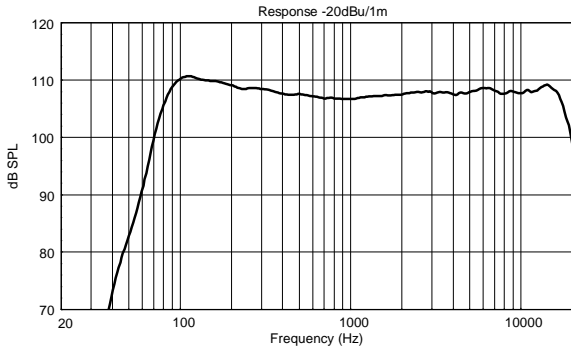
220-240V

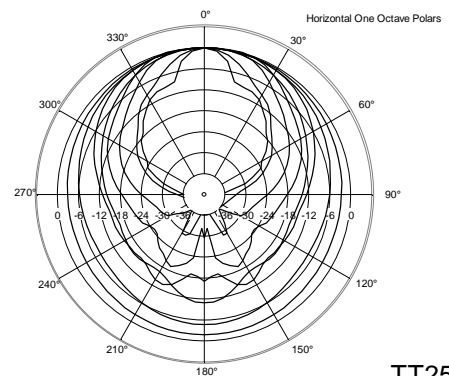
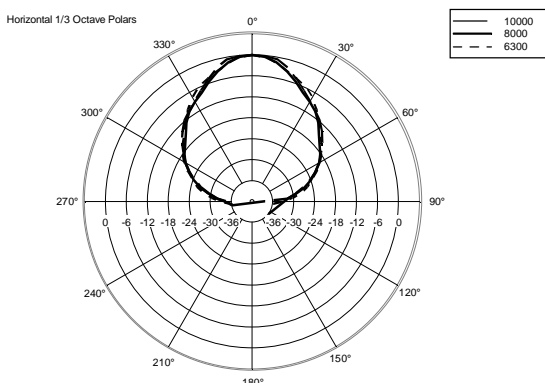
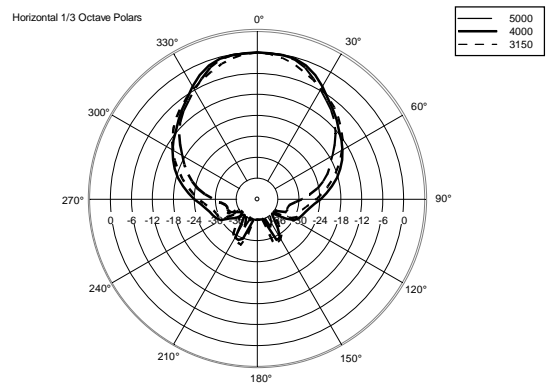
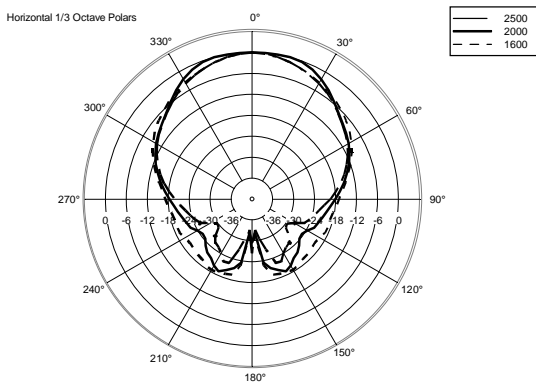
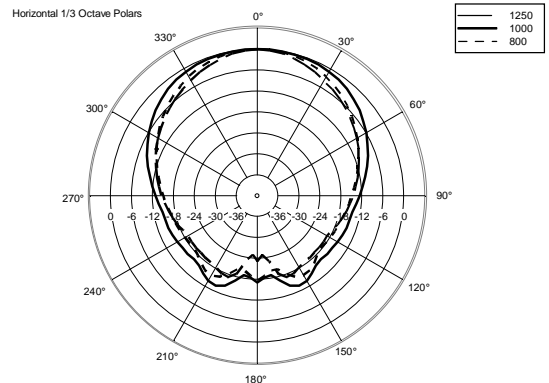
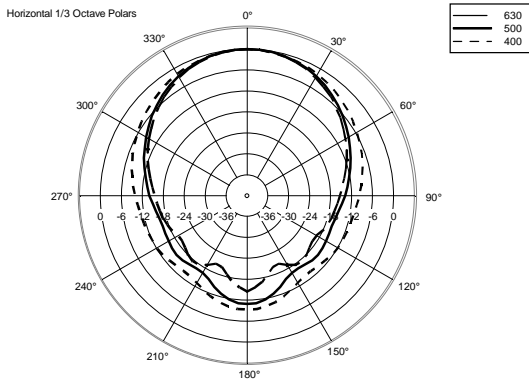
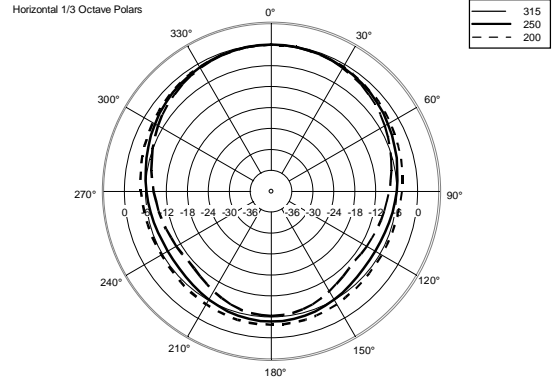
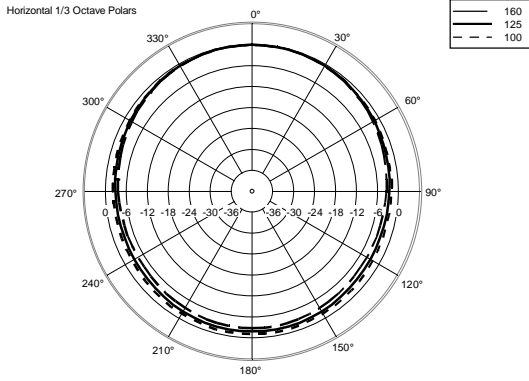
EAN 8024530012984

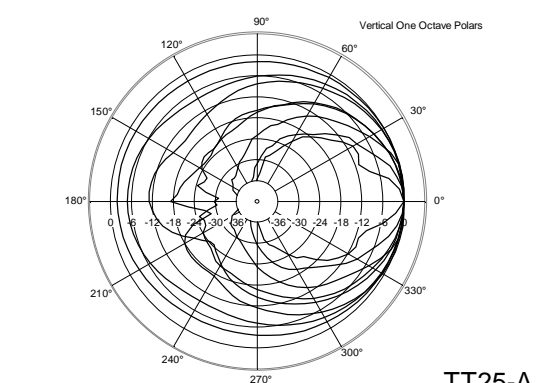
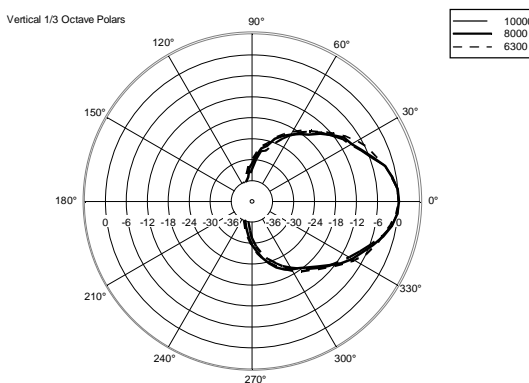
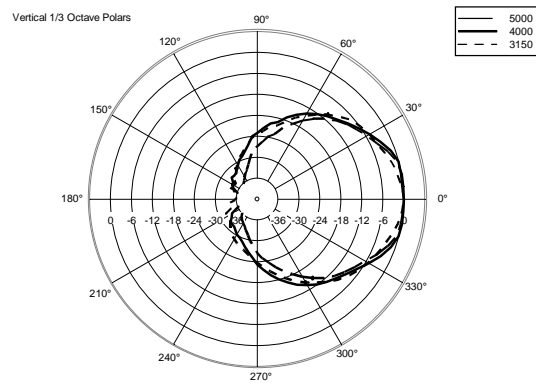
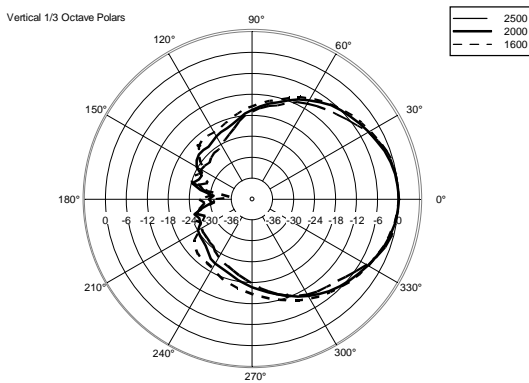
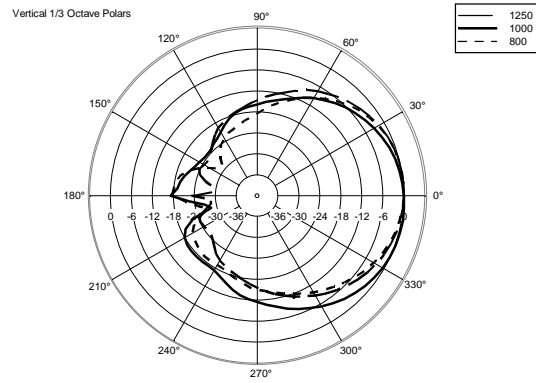
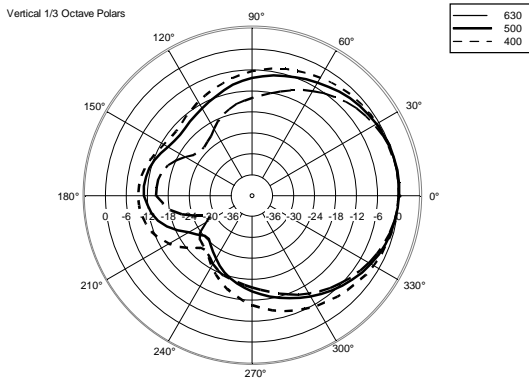
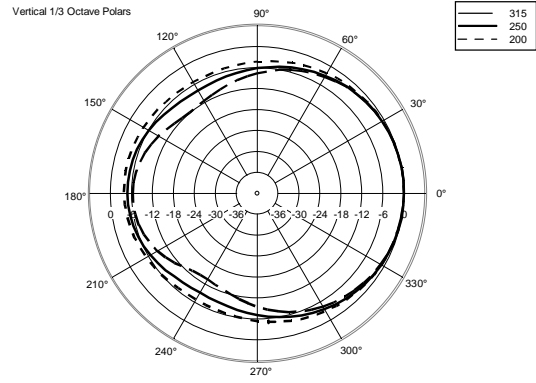
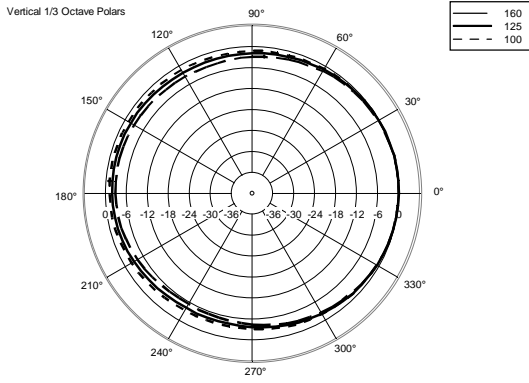
DATASHEET












TT25-A MKII







**ACCESSORIES**

	AC PMA - POLE MOUNT	PART NUMBER EAN:	<b>13360034</b> 8024530007713
	AC PM-M20	PART NUMBER EAN:	<b>13360067</b> 8024530014599
	AC PMX POLE MOUNT M20	PART NUMBER EAN:	<b>13360232</b> 8024530010058
	AC PRO-FS PROFESS. LOCKING FLOOR STAND	PART NUMBER EAN:	<b>13360109</b> 8024530006471
	AC PRO-LF PROFESSIONAL LOCKING FLANGE	PART NUMBER EAN:	<b>13360111</b> 8024530006495
	AC PRO-PM PROFESS. LOCKING POLE MOUNT	PART NUMBER EAN:	<b>13360110</b> 8024530006488
	AC XLR-3M3F XLR CONN. 3MALE3FEMALEXCABLE	PART NUMBER EAN:	<b>13360102</b> 8024530006402
	CABLES KIT CBL ETHERCON 0.7M	PART NUMBER EAN:	<b>12399016</b> 8024530013844
	CABLES KIT CBL ETHERCON 1.5M	PART NUMBER EAN:	<b>12399017</b> 8024530013851





CABLES KIT CBL ETHERCON 3M

PART NUMBER **12399035**

EAN: 8024530013868



CABLES KIT CBL ETHERCON 5M

PART NUMBER **12399018**

EAN: 8024530013875



CABLES KIT CBL ETHERCON TO XLR F 0.2M

PART NUMBER **12399019**

EAN: 8024530013882



CABLES KIT CBL ETHERCON TO XLR M 0.2M

PART NUMBER **12399020**

EAN: 8024530013899



COVER CVR TT 25 II

PART NUMBER **13360326**

EAN: 8024530013431



DOUBLE STUD 4X

PART NUMBER **13360030**

EAN:



SPEAKER CABINET FLOOR STAND-STEEL

PART NUMBER **13360035**

EAN: 8024530005030



VERTICAL BRACKET V-BR TT 25 II

PART NUMBER **13360329**

EAN: 8024530013349